

Model: Russian-C1 Printer Option		Date: 29-Mar-00	No.: MB306001
Modified Article: Operation Switch		Prepared by: S. Tomoe	
From: Technical Services Dept., GTS Division			
Reason for Modification:	<input checked="" type="checkbox"/> Parts catalog correction	<input type="checkbox"/> Vendor change	<input type="checkbox"/> To meet standards ()
	<input type="checkbox"/> To facilitate assembly	<input type="checkbox"/> To improve reliability	
	<input type="checkbox"/> Part standardization	<input type="checkbox"/> Other	

The following should be corrected. Please correct your parts catalog.

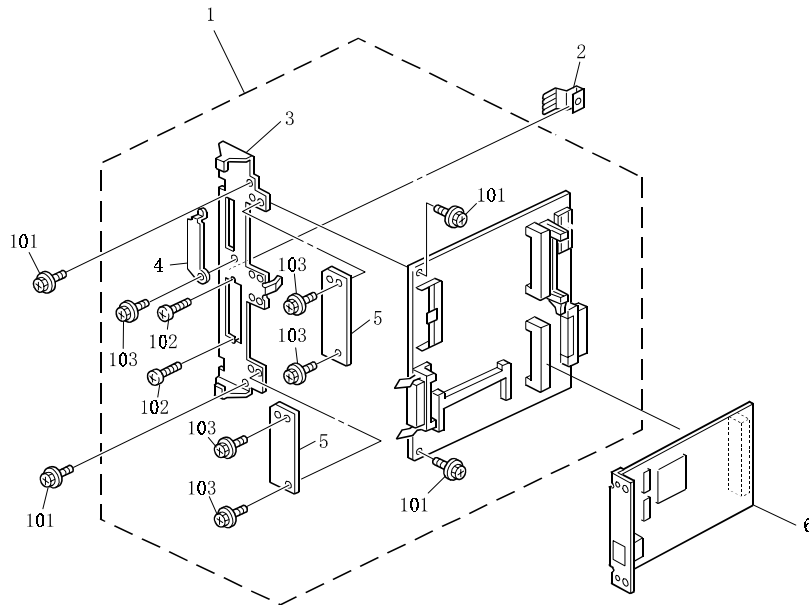
Old part number	New part number	Description	Q'ty	Int	Page	Index	Note
A9851480	A8951480	Operation Switch	1		5	12	

Model: Russian-C Printer Controller Type270	Date: 30-Aug-02	No.: MB306002
---	-----------------	---------------

Modified Article: Network Interface Board		Prepared by: S. Tomoe	
From: Technical Services sec. Service Planning Dept.			
Reason for Modification:	<input type="checkbox"/> Parts catalog correction	<input type="checkbox"/> Vendor change	<input type="checkbox"/> To meet standards ()
	<input type="checkbox"/> To facilitate assembly	<input type="checkbox"/> To improve reliability	
	<input type="checkbox"/> Part standardization	<input checked="" type="checkbox"/> Other	

As per a field request, the Network Interface Board has been registered as a service part.

Old part number	New part number	Description	Q'ty	Int	Page	Index	Note
	G6785714	Network Interface Board	0-1		3	6	



Model: Russian-C Printer Controller Type270		Date: 3-Apr-03	No.: MB306003
Modified Article: PS3 Board		Prepared by: S. Tomoe	
From: 1st Tech. Support Sec. Service Support Dept.			
Reason for Modification:	<input type="checkbox"/> Parts catalog correction <input type="checkbox"/> To facilitate assembly <input type="checkbox"/> Part standardization	<input type="checkbox"/> Vendor change <input type="checkbox"/> To improve reliability <input checked="" type="checkbox"/> Other	<input type="checkbox"/> To meet standards ()

As per a field request, the PS3 Board has been registered as a service part.

Old part number	New part number	Description	Q'ty	Int	Page	Index	Note
	B3085181	PS3 Board	0-1		3	7	

